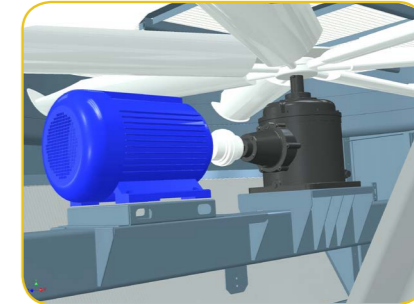
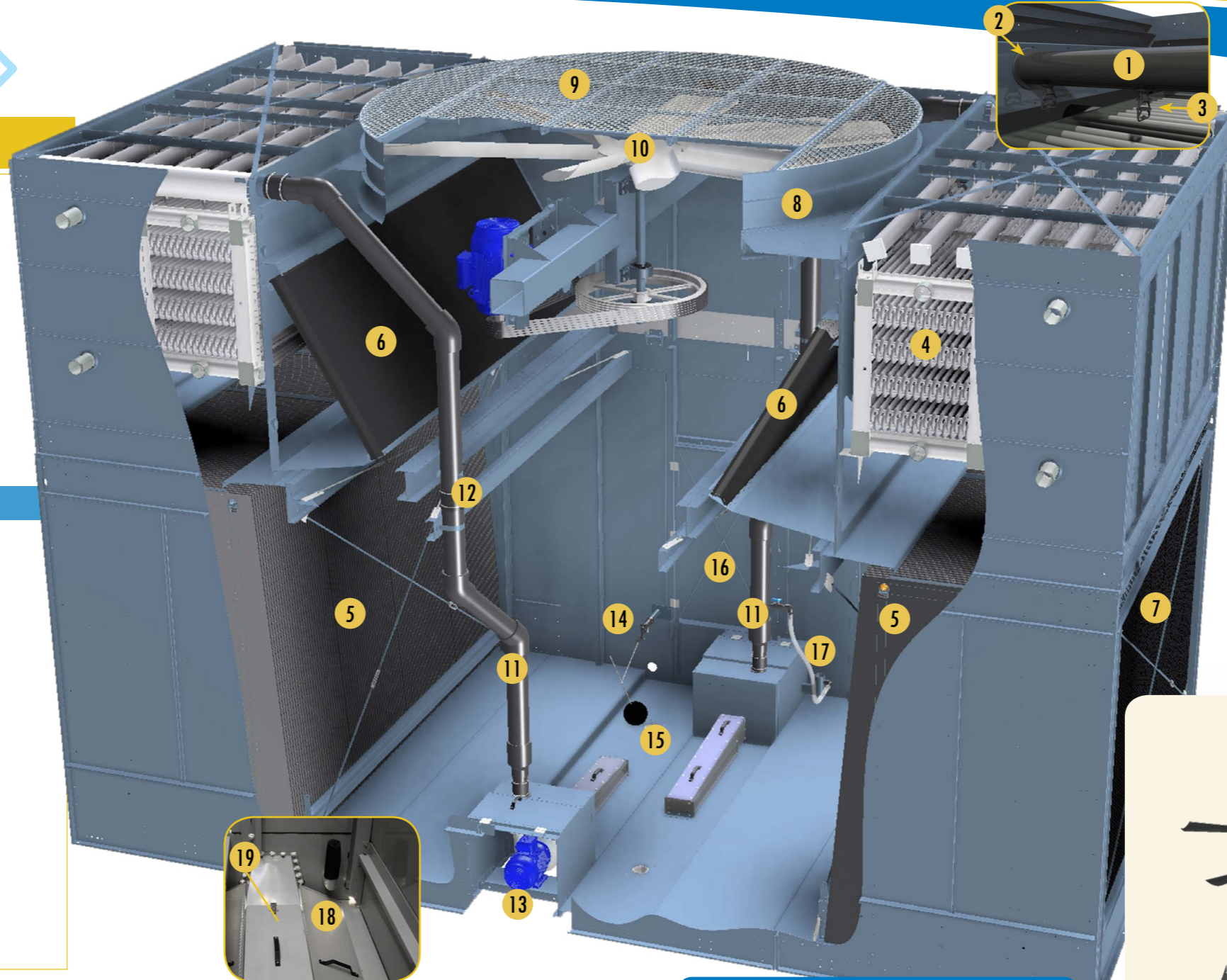


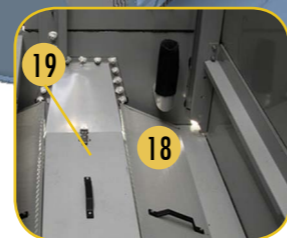


Fill, Coil & Pan Section

1. Spray branches
2. Spray branch grommets
3. Spray nozzles & nozzles grommets
4. Coil(s)
5. BACross 2 - Fill sheets with integrated drift eliminators
6. Drift eliminators
7. Combined inlet shields
8. Fan cylinder
9. Fan guard
10. Axial fan assembly (see detailed view)
11. Pump piping
12. Sleeve & clamps
13. Spray pumps
with volute without volute seal kit
14. Make-up valve assembly
15. Float ball
16. Access door
17. Bleed line with manual valve
18. Pan strainers
19. Pan strainer hood
20. Heater
21. Low level cut out switch
22. Heater thermostat



Gear box driven (option)



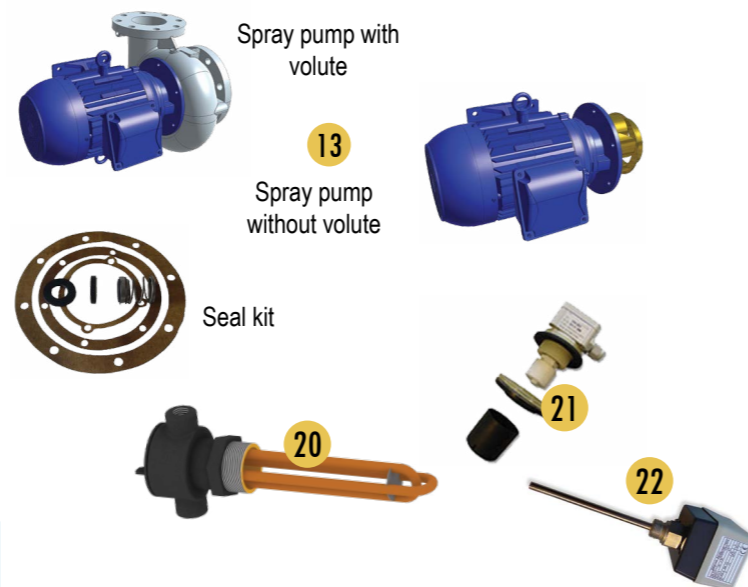
Client contact information

Name _____
 Company _____
 Telephone _____
 Email _____
 Unit model _____
 Serial number _____



Your BAC contact

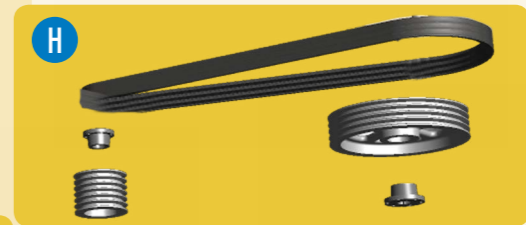
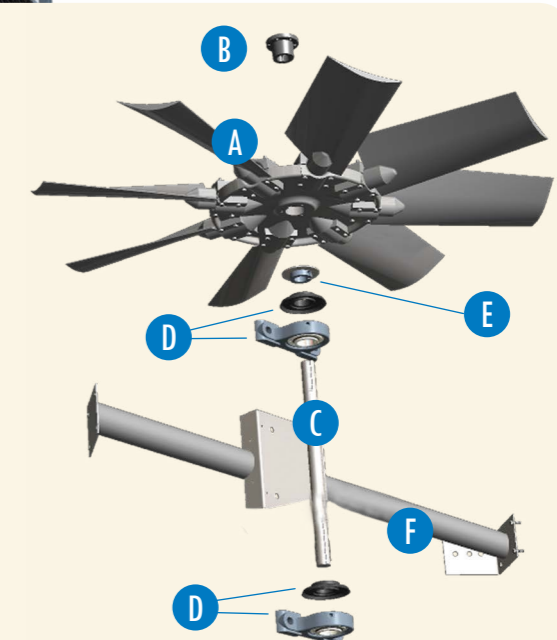
Name _____
 Telephone _____
 Email _____



This is not an official order form.

Axial fan assembly

- A. Axial fan
- B. Fan bushing
- C. Fan shaft
- D. Bearing with flinger collar
- E. Fan locking collar
- F. Bearing support
- G. Impervix Fan motor
- H. Drive set
 Motor sheave & bushing
 Aluminium fan sheave & bushing
 Belt set



Quantities may vary according to the unit type.

Spare parts for cooling tower

