

Bearings

Spare parts guide

Bearings

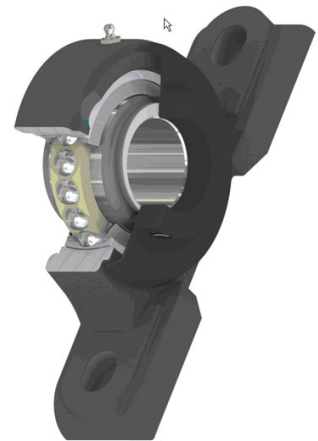
Bearings

Benefits

All BAC bearings are specifically designed for cooling tower application and tested in our [R&D laboratories](#) to ensure **long service life**

Features

- Flinger collar
- Special housing, machined to encourage drainage
- 3-piece R-seal to keep the bearing properly lubricated
- Suitable for use in moist environment (depending on bearing type)



Maintenance tip !

BAC has bearing grease cartridges available for use in the cooling tower bearings.

The specifications of this grease will ensure an optimal bearing service life. Replace all fan-shaft bearings at the same time for optimum performance and reduced maintenance downtime.

Want to replace the bearings of your BAC cooling equipment?

Contact your [local BAC representative](#).

Downloads



- [BAC Cooling Tower Bearings](#)