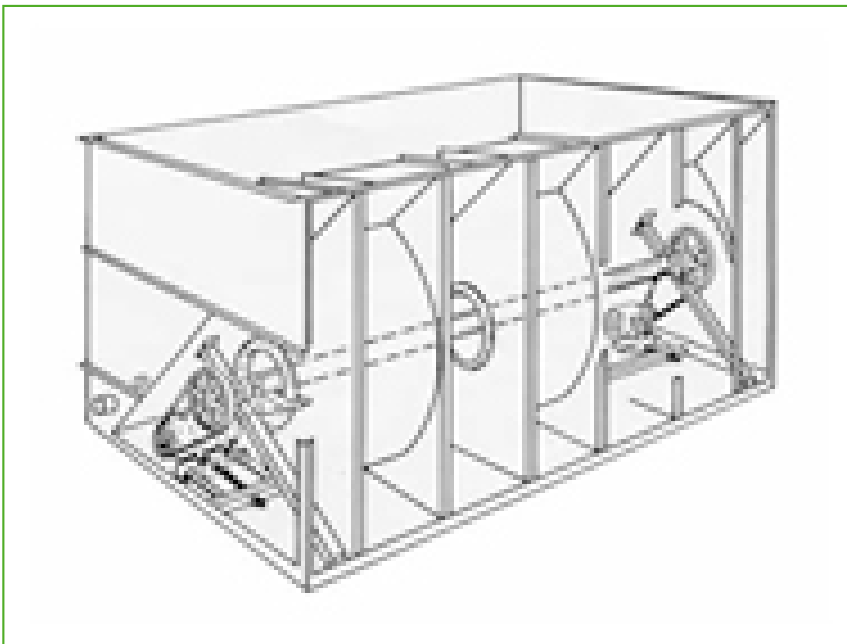


Baltiguard drive system

Closed circuit cooling towers

Options and accessories

Baltiguard drive system



The installation of a Baltiguard® drive system

- **helps save energy** when operating at low speed during low-load operation and/or at low wet-bulb temperatures.
- **produces less noise** when the low kilowatt motor is used.
- **guarantees year-round reliable operation** with the low kilowatt motor that also operates as standby for any failure.

The Baltiguard® Drive System is a **pair of standard single-speed fan motors and drive assemblies**.

- One motor drive assembly is configured for full speed and load.
- The other offers approximately 2/3 of the speed but just 1/3 of power consumption.

Even the low kilowatt motor on a design wet-bulb day offers nearly 70% capacity. Uses the same controls and wiring as those in a dual-speed, two-winding motor.

Want to benefit from a Baltiguard drive system?



Contact your [local BAC representative](#).